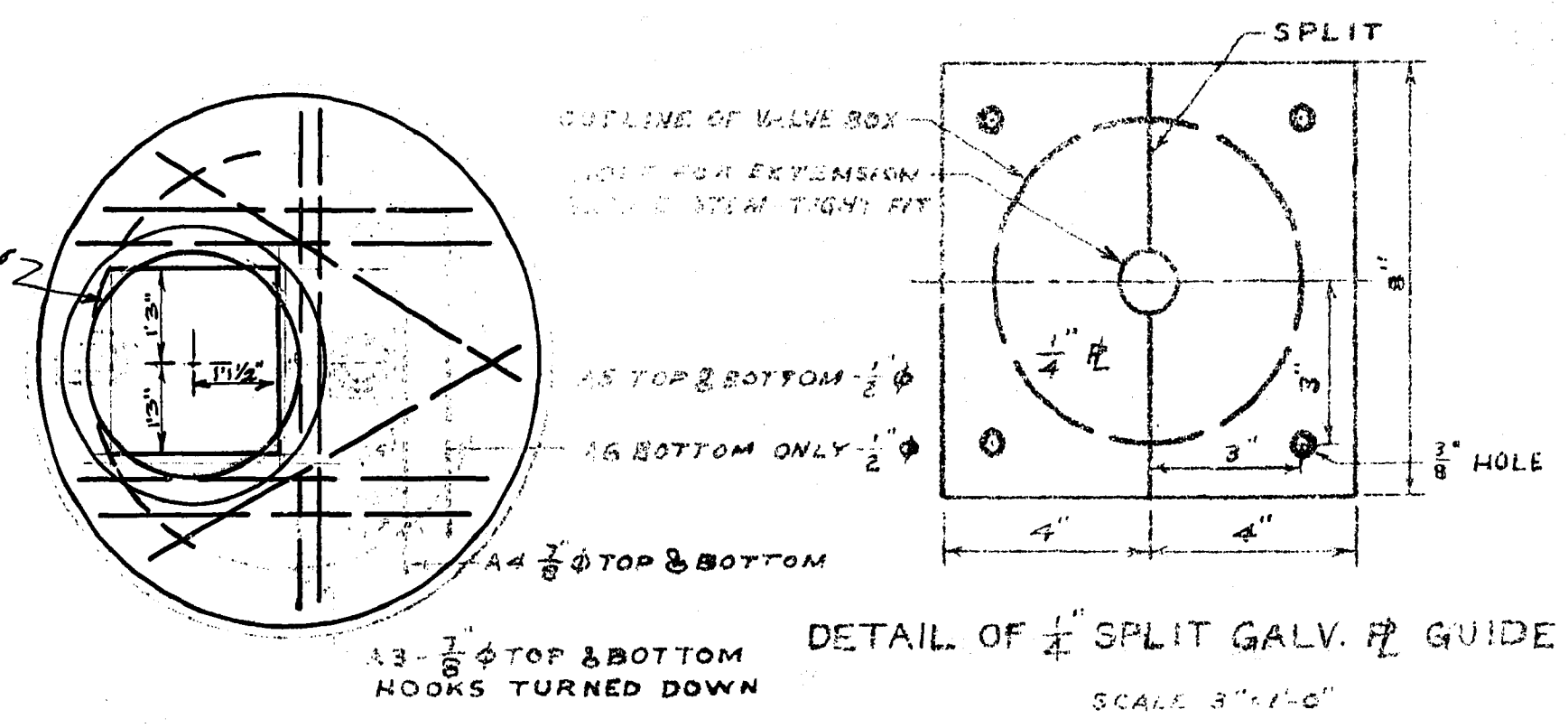
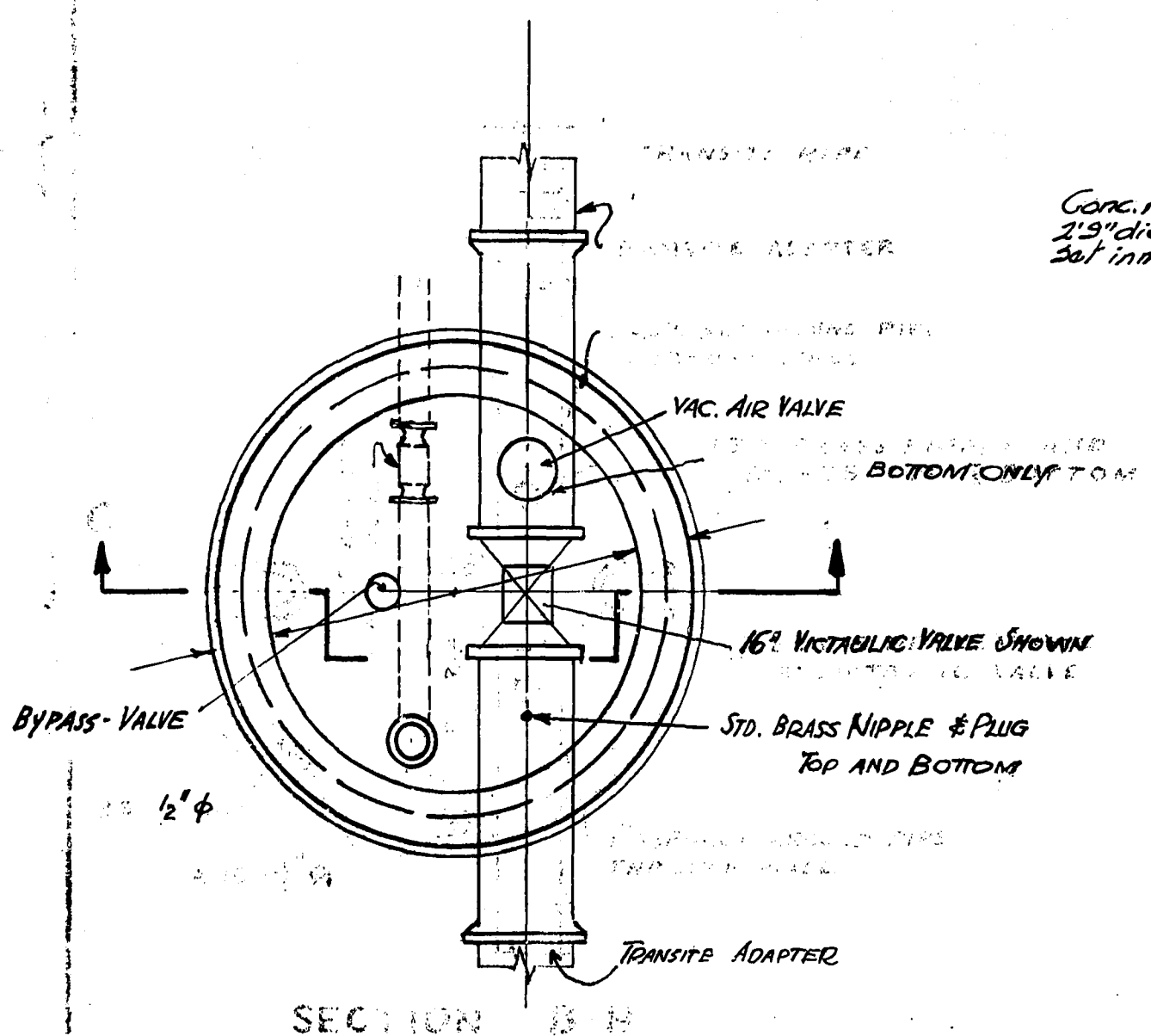
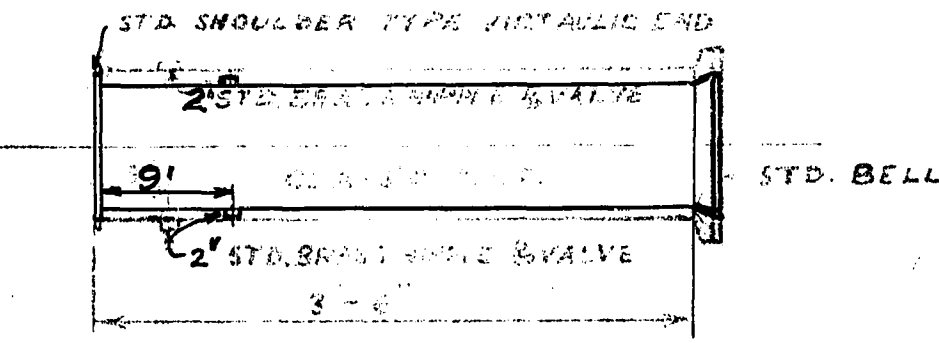


REINFORCING SCHEDULE

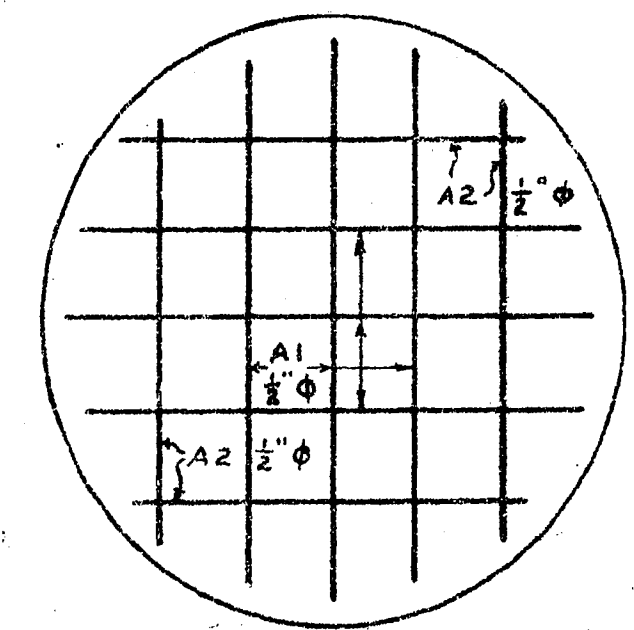
MK	SIZE	NO.	LENGTH	TYPE	LOCATION
A1	1/2" φ	6	7'-8"		FLOOR SLAB
A2	1/2" φ	4	6'-8"		
A3	1/2" φ	4	7'-2"		ROOF SLAB
A4	7/8" φ	2	6'-6"		
A5	1" φ	12	5'-1"		
A6	1/2" φ	1	5'-1"		
A7	1/2" φ	8	2'-6"		M. H.
A8	1/2" φ	1	9'-11"	WELD	
A9	1/2" φ	6	17'-9 1/2"	WELD	WALLS
A10	1/2" φ	8	7'-2"		



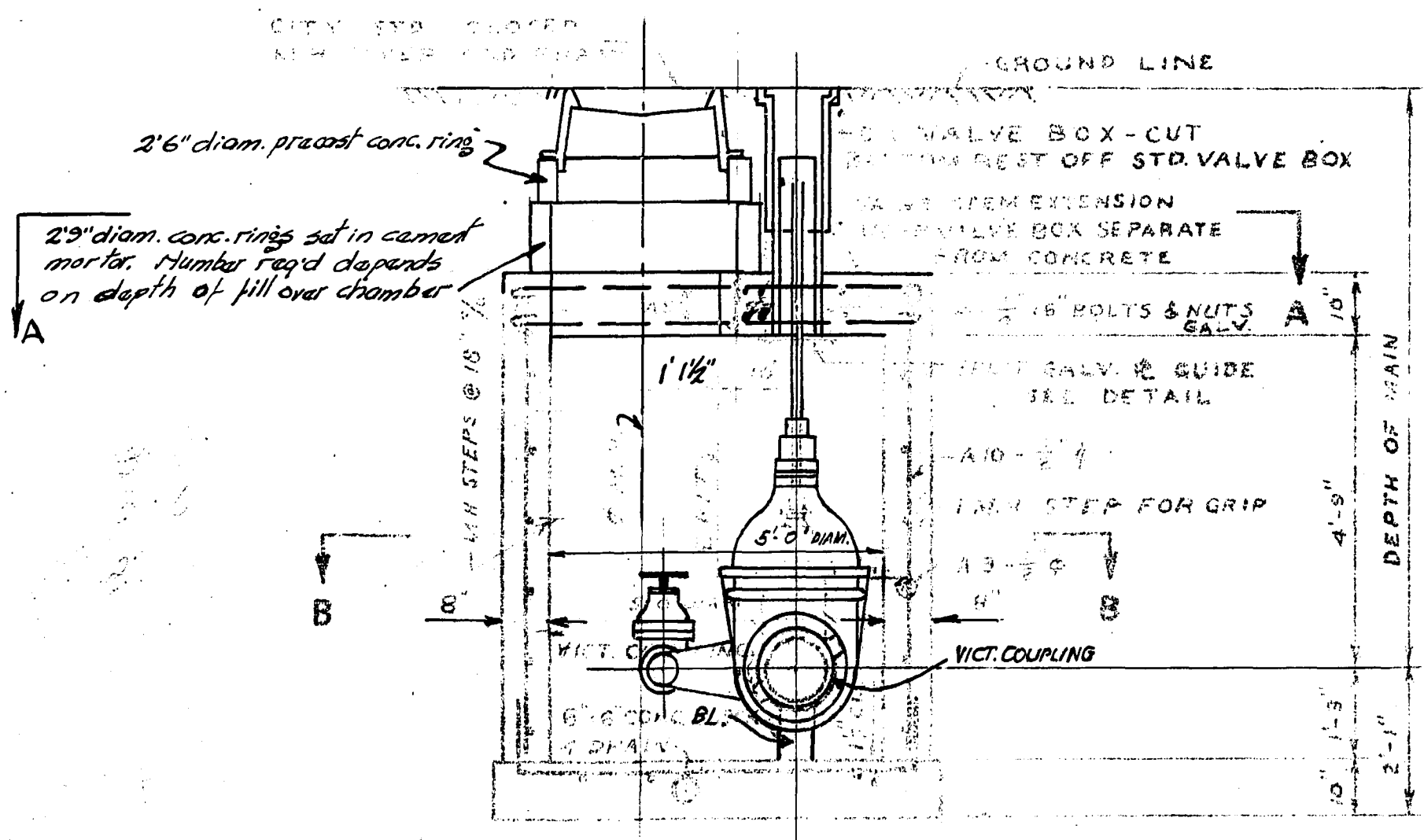
SECTION A-A



CLASS "C" C.I. CONNECTING PIPES  
S.A.M.I. (S.C.I.P.A.S.) W.M.  
2 REQUIRED PER VALVE PIT  
SCALE 3/4" = 1'-0"



FLOOR SLAB REINFORCING



SECTION "C-C"

5'-0" DIAM. VALVE PIT  
6 required.

NOTES

ALL CONCRETE FOR VALVE PITS TO BE ALKALI RESISTING WITH 3000 P.S.I. COMP. STRENGTH AT 28 DAYS.

PLACE 6"x6" CONCRETE PIER UNDER THE TEE OR CROSS AND BRACE THE SP. LAPS TO WALL OF VALVE PIT.

Air Valves and Fittings Supplied by District  
PTrop, floor grating, backwater valve & file pipe to connect to sewer by Contractor.

GREATER WINNIPEG WATER DISTRICT			
DRAWN T.Z.	DATE JUNE 24, 53	TITLE: DETAILS OF VALVE PITS FOR ST. VITAL CONNECTION	
TRACED	CHECKED E.C.S.		
APPROVED			
U.S. Bubbis		SCALE AS SHOWN	DWG. NO. B-439
GEN. MGR.			